

# **TIGER** **TANK**

## **Platinum**



**UNMATCHED IN QUALITY  
UNMATCHED IN FEATURES  
UNMATCHED IN PRICE**

# **Introducing KVC Tiger Tank Platinum**

**UNMATCHED IN ITS CLASS**

## **Contents**

Tiger Tank Platinum TT-040 ..... Page 3, 4

Tiger Tank Platinum TT-053 ..... Page 5, 6

Tiger Tank Platinum TT-060 Crawl ..... Page 7, 8

Tiger Tank Platinum TT-065 ..... Page 9, 10

Tiger Tank Platinum TT-079 ..... Page 11, 12

Tiger Tank Platinum TT-119 ..... Page 13, 14



d - Boiler flow  
g - Boiler return  
i - Domestic cold water inlet  
u - Domestic hot water outlet

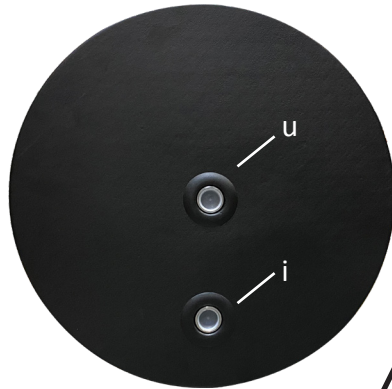


- Replaceable soft outer jacket with zipper, available in several colors



- 316L Stainless Steel Body & Coil
- 1" Boiler Loop

- Analog Sensor included



- 1" Domestic water in & out on top and side (Ships with 2 316L Stainless Steel Plugs)



- Thermometer Included



- Temp & Pressure Relief Valve Included



- Anode for Cathodic & Galvanic Protection

- 3/4" Recirculation Port

- Uniform port height between models for Domestic Cold Water and Boiler Loop (rough in ease and interchangeability)

**FIG. TT-040:**

**TIGER TANK 150L INDIRECT FIRED SS COIL**



**Product Features:**

- » Tank is constructed out of Type 316L stainless steel
- » Coil is constructed out of Type 316L stainless steel
- » Fittings are constructed out of Type 316L stainless steel
- » 1" Domestic water ports on Top and Side
- » 1" boiler loop ports
- » 3/4" recirculation port
- » Uniform port height between models for Domestic Cold Water and Boiler Loop
- » Insulated with CFC free expanded 2" rigid Polyurethane
- » Lead free construction
- » Magnesium anode for cathodic & galvonic protection
- » Outer jacket is replaceable soft Vinyl (PVC) with zipper, available in several colors
- » Thermometer, analog sensor and T&P valve included
- » Tank ships with 2 SS 316L plugs

| Tiger Tank Platinum |                                    |
|---------------------|------------------------------------|
| Tank Material       | 316L Stainless Steel               |
| Coil Material       | 316L Stainless Steel               |
| Jacket Material     | Soft Vinyl w/Zipper                |
| Insulation          | 2" Rigid Polyurethane              |
| Protection          | Magnesium Anode                    |
| Application         | Residential / Commercial           |
| Warranty            | See back page for warranty details |

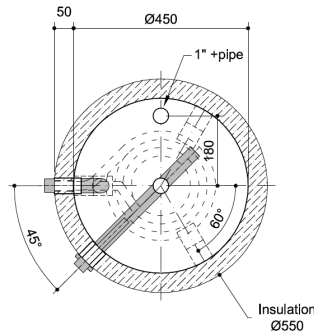
| Model  | Tank Capacity (Gallons) | Max Working Pressure (PSI) | Domestic Water Inlet/Outlet | Boiler In/Out | Approx. Shipping Weight (Lbs) |
|--------|-------------------------|----------------------------|-----------------------------|---------------|-------------------------------|
| TT-040 | 40                      | 150                        | 1"                          | 1"            | 86                            |

**Performance:** Hour 1 Recovery based on 50°F inlet water temperature and 176°F boiler water outlet temperature

| Model  | Outlet Temp 140°F      |                          | Outlet Temp 115°F      |                          | Boiler BTU/Hr Output | Heat Exchanger Flow Rate (GPM) | Coil Surface (sqm) |
|--------|------------------------|--------------------------|------------------------|--------------------------|----------------------|--------------------------------|--------------------|
|        | 1st Hr Rating (Gal/Hr) | Continuous Draw (Gal/Hr) | 1st Hr Rating (Gal/Hr) | Continuous Draw (Gal/Hr) |                      |                                |                    |
| TT-040 | 180                    | 143                      | 290                    | 239                      | 107688               | 12                             | 0.8                |

**Dimensions:**

| Model  | Height mm / in | Diameter mm / in | Floor to Domestic Cold mm / in | Floor to Boiler Return mm / in | Floor to Boiler Supply mm / in | Floor to Domestic Hot mm / in | T&P mm / in |
|--------|----------------|------------------|--------------------------------|--------------------------------|--------------------------------|-------------------------------|-------------|
| TT-040 | 1050 / 41.34   | 550 / 21.65      | 250/9.84 Top                   | 465 / 18.31                    | 565 / 22.24                    | 840/33.07 Top                 | 710 / 27.95 |



- Dimensions in these FIGs are in mm
- All ports have female thread

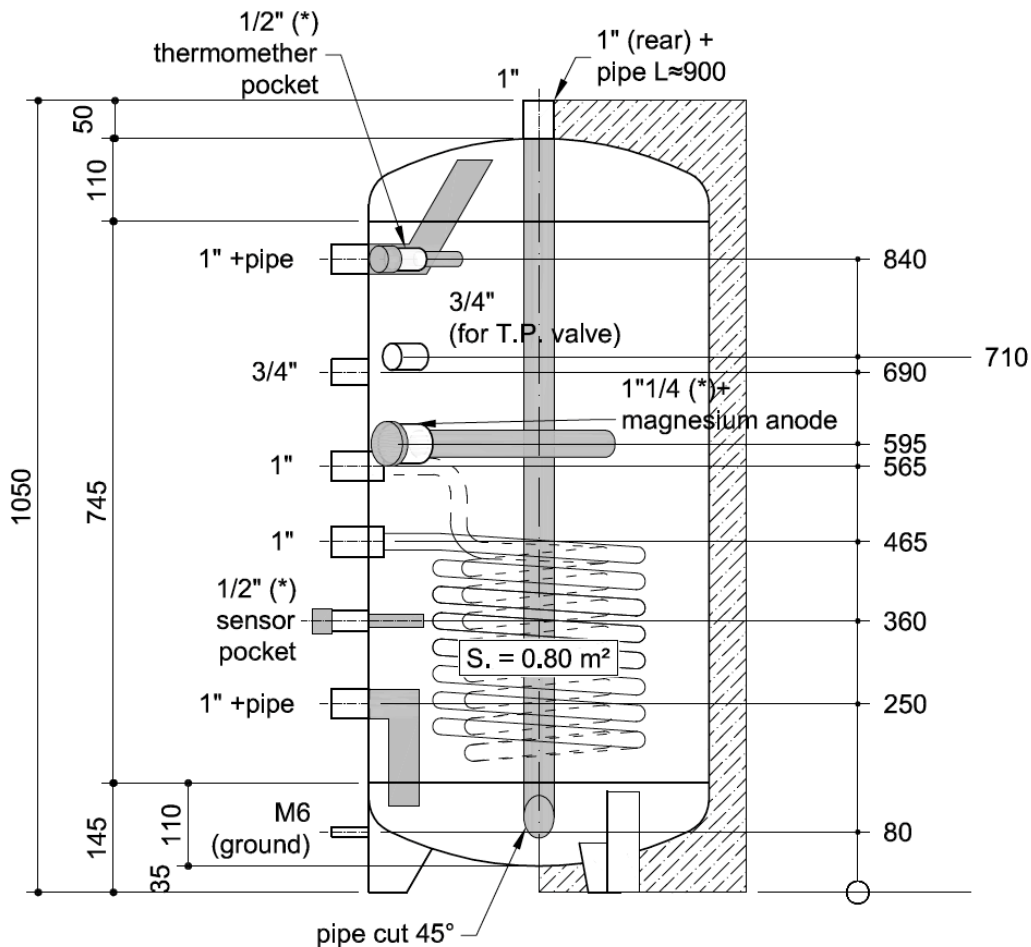


FIG. TT-053:

TIGER TANK 200L INDIRECT FIRED SS COIL



**Product Features:**

- » Tank is constructed out of Type 316L stainless steel
- » Coil is constructed out of Type 316L stainless steel
- » Fittings are constructed out of Type 316L stainless steel
- » 1" Domestic water ports on Top and Side
- » 1" boiler loop ports
- » 3/4" recirculation port
- » Uniform port height between models for Domestic Cold Water and Boiler Loop
- » Insulated with CFC free expanded 2" rigid Polyurethane
- » Lead free construction
- » Magnesium anode for cathodic & galvanic protection
- » Outer jacket is replaceable soft Vinyl (PVC) with zipper, available in several colors
- » Thermometer, analog sensor and T&P valve included
- » Tank ships with 2 SS 316L plugs

| Tiger Tank Platinum |                                    |
|---------------------|------------------------------------|
| Tank Material       | 316L Stainless Steel               |
| Coil Material       | 316L Stainless Steel               |
| Jacket Material     | Soft Vinyl w/Zipper                |
| Insulation          | 2" Rigid Polyurethane              |
| Protection          | Magnesium Anode                    |
| Application         | Residential / Commercial           |
| Warranty            | See back page for warranty details |

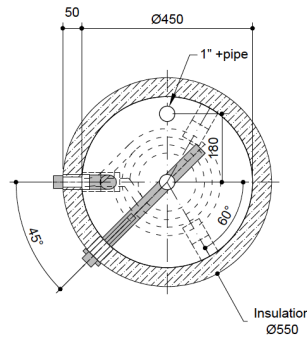
| Model  | Tank Capacity (Gallons) | Max Working Pressure (PSI) | Domestic Water Inlet/Outlet | Boiler In/Out | Approx. Shipping Weight (Lbs) |
|--------|-------------------------|----------------------------|-----------------------------|---------------|-------------------------------|
| TT-053 | 53                      | 150                        | 1"                          | 1"            | 101                           |

**Performance:** Hour 1 Recovery based on 50°F inlet water temperature and 176°F boiler water outlet temperature

| Model  | Outlet Temp 140°F      |                          | Outlet Temp 115°F      |                          | Boiler BTU/Hr Output | Heat Exchanger Flow Rate (GPM) | Coil Surface (sqm) |
|--------|------------------------|--------------------------|------------------------|--------------------------|----------------------|--------------------------------|--------------------|
|        | 1st Hr Rating (Gal/Hr) | Continuous Draw (Gal/Hr) | 1st Hr Rating (Gal/Hr) | Continuous Draw (Gal/Hr) |                      |                                |                    |
| TT-053 | 192                    | 143                      | 308                    | 239                      | 107688               | 12                             | 0.8                |

**Dimensions:**

| Model  | Height mm / in | Diameter mm / in | Floor to Domestic Cold mm / in | Floor to Boiler Return mm / in | Floor to Boiler Supply mm / in | Floor to Domestic Hot mm / in | T&P mm / in |
|--------|----------------|------------------|--------------------------------|--------------------------------|--------------------------------|-------------------------------|-------------|
| TT-053 | 1300 / 51.18   | 550 / 21.65      | 250/9.84 Top                   | 465 / 18.31                    | 565 / 22.24                    | 1090/42.91 Top                | 960 / 37.80 |



- Dimensions in these FIGs are in mm
- All ports have female thread

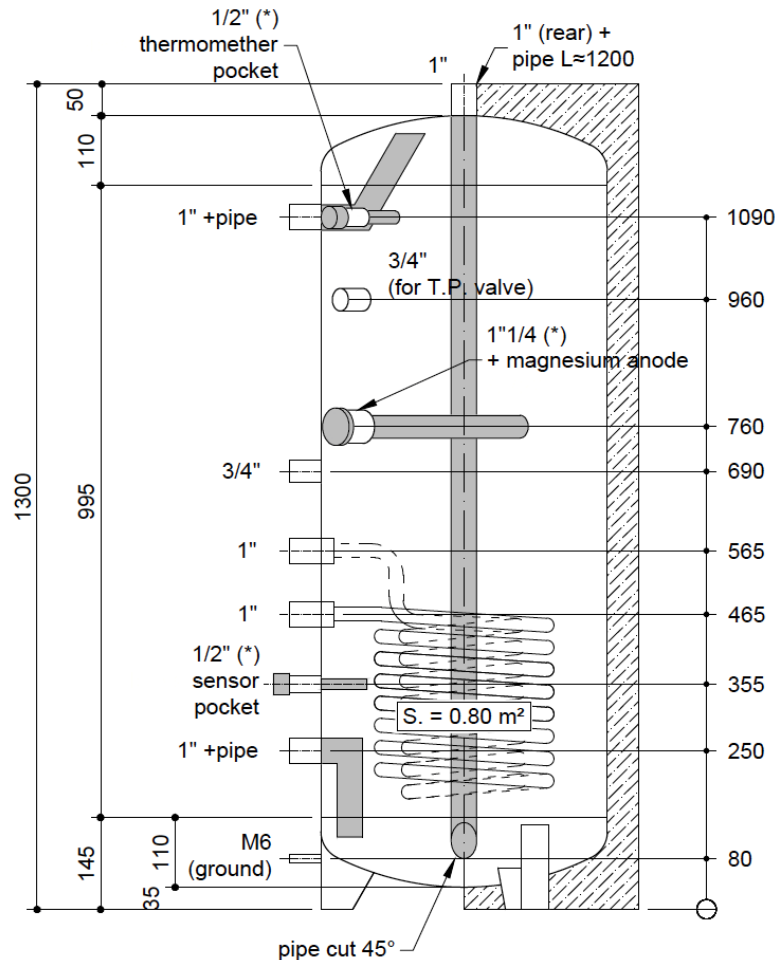


FIG. TT-060 Crawl:

TIGER TANK 227L INDIRECT FIRED SS COIL



**Product Features:**

- » Tank is constructed out of Type 316L stainless steel
- » Coil is constructed out of Type 316L stainless steel
- » Fittings are constructed out of Type 316L stainless steel
- » 1" Domestic water ports on Top and Side
- » 1" boiler loop ports
- » 3/4" recirculation port
- » Uniform port height between models for Domestic Cold Water and Boiler Loop
- » Insulated with CFC free expanded 2" rigid Polyurethane
- » Lead free construction
- » Magnesium anode for cathodic & galvanic protection
- » Outer jacket is replaceable soft Vinyl (PVC) with zipper, available in several colors
- » Thermometer, analog sensor and T&P valve included
- » Tank ships with 2 SS 316L plugs

| Tiger Tank Platinum |                                    |
|---------------------|------------------------------------|
| Tank Material       | 316L Stainless Steel               |
| Coil Material       | 316L Stainless Steel               |
| Jacket Material     | Soft Vinyl w/Zipper                |
| Insulation          | 2" Rigid Polyurethane              |
| Protection          | Magnesium Anode                    |
| Application         | Residential / Commercial           |
| Warranty            | See back page for warranty details |

| Model   | Tank Capacity (Gallons) | Max Working Pressure (PSI) | Domestic Water Inlet/Outlet | Boiler In/Out | Approx. Shipping Weight (Lbs) |
|---------|-------------------------|----------------------------|-----------------------------|---------------|-------------------------------|
| TT-060C | 60                      | 150                        | 1"                          | 1"            | 110                           |

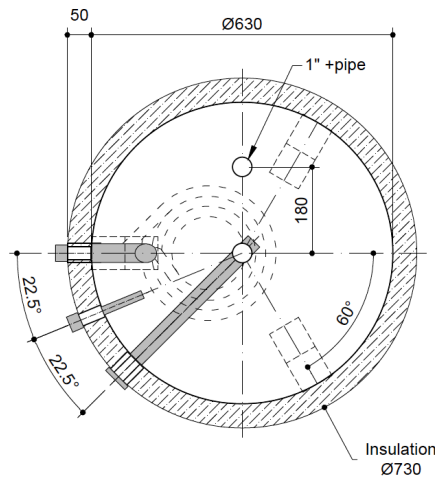


**Performance:** Hour 1 Recovery based on 50°F inlet water temperature and 176°F boiler water outlet temperature

| Model   | Outlet Temp 140°F      |                          | Outlet Temp 115°F      |                          | Boiler BTU/Hr Output | Heat Exchanger Flow Rate (GPM) | Coil Surface (sqm) |
|---------|------------------------|--------------------------|------------------------|--------------------------|----------------------|--------------------------------|--------------------|
|         | 1st Hr Rating (Gal/Hr) | Continuous Draw (Gal/Hr) | 1st Hr Rating (Gal/Hr) | Continuous Draw (Gal/Hr) |                      |                                |                    |
| TT-060C | 205                    | 143                      | 326                    | 239                      | 107688               | 12                             | 0.8                |

**Dimensions:**

| Model   | Height mm / in | Diameter mm / in | Floor to Domestic Cold mm / in | Floor to Boiler Return mm / in | Floor to Boiler Supply mm / in | Floor to Domestic Hot mm / in | T&P mm / in |
|---------|----------------|------------------|--------------------------------|--------------------------------|--------------------------------|-------------------------------|-------------|
| TT-060C | 880 / 34.65    | 730 / 28.74      | 230/9.05<br>Top                | 430 / 16.93                    | 530 / 20.87                    | 635/23.82<br>Top              | 635 / 25.00 |



- Dimensions in these FIGs are in mm
- All ports have female thread

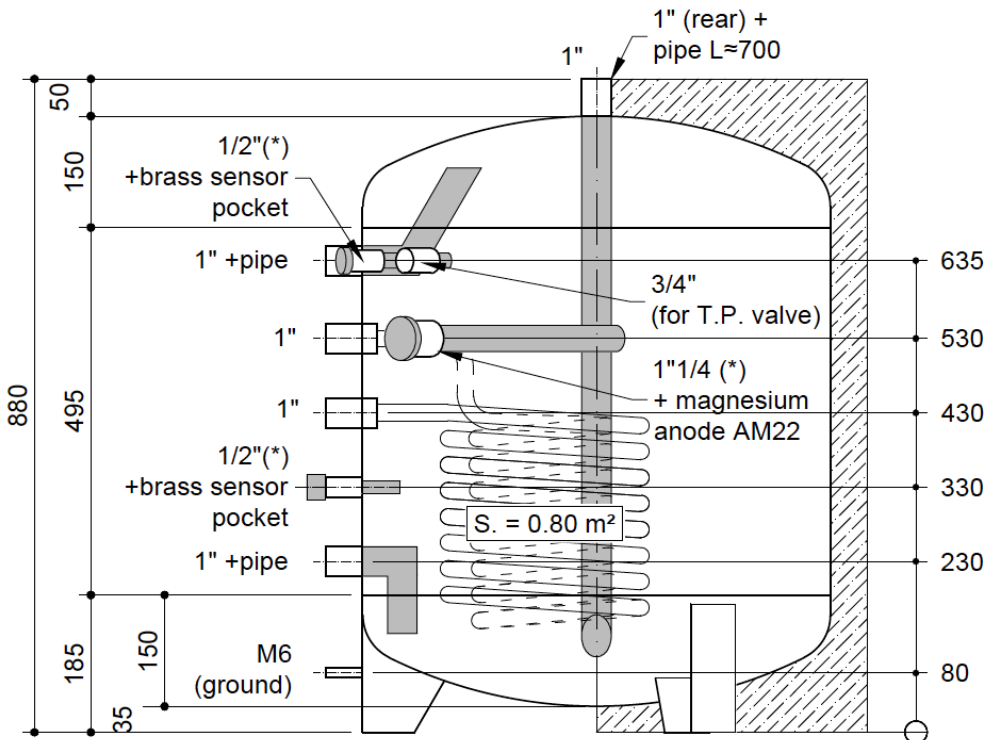


FIG. TT-065:

**TIGER TANK 250L INDIRECT FIRED SS COIL**



**Product Features:**

- » Tank is constructed out of Type 316L stainless steel
- » Coil is constructed out of Type 316L stainless steel
- » Fittings are constructed out of Type 316L stainless steel
- » 1" Domestic water ports on Top and Side
- » 1" boiler loop ports
- » 3/4" recirculation port
- » Uniform port height between models for Domestic Cold Water and Boiler Loop
- » Insulated with CFC free expanded 2" rigid Polyurethane
- » Lead free construction
- » Magnesium anode for cathodic & galvanic protection
- » Outer jacket is replaceable soft Vinyl (PVC) with zipper, available in several colors
- » Thermometer, analog sensor and T&P valve included
- » Tank ships with 2 SS 316L plugs

| Tiger Tank Platinum |                                    |
|---------------------|------------------------------------|
| Tank Material       | 316L Stainless Steel               |
| Coil Material       | 316L Stainless Steel               |
| Jacket Material     | Soft Vinyl w/Zipper                |
| Insulation          | 2" Rigid Polyurethane              |
| Protection          | Magnesium Anode                    |
| Application         | Residential / Commercial           |
| Warranty            | See back page for warranty details |

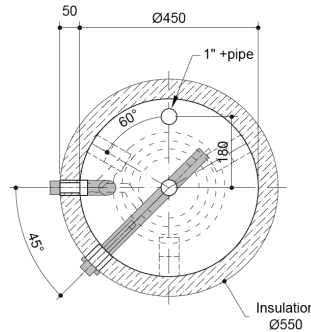
| Model  | Tank Capacity (Gallons) | Max Working Pressure (PSI) | Domestic Water Inlet/Outlet | Boiler In/Out | Approx. Shipping Weight (Lbs) |
|--------|-------------------------|----------------------------|-----------------------------|---------------|-------------------------------|
| TT-065 | 65                      | 150                        | 1"                          | 1"            | 117                           |

**Performance:** Hour 1 Recovery based on 50°F inlet water temperature and 176°F boiler water outlet temperature

| Model  | Outlet Temp 140°F      |                          | Outlet Temp 115°F      |                          | Boiler BTU/Hr Output | Heat Exchanger Flow Rate (GPM) | Coil Surface (sqm) |
|--------|------------------------|--------------------------|------------------------|--------------------------|----------------------|--------------------------------|--------------------|
|        | 1st Hr Rating (Gal/Hr) | Continuous Draw (Gal/Hr) | 1st Hr Rating (Gal/Hr) | Continuous Draw (Gal/Hr) |                      |                                |                    |
| TT-065 | 274                    | 209                      | 437                    | 347                      | 156414               | 12                             | 1.2                |

**Dimensions:**

| Model  | Height mm / in | Diameter mm / in | Floor to Domestic Cold mm / in | Floor to Boiler Return mm / in | Floor to Boiler Supply mm / in | Floor to Domestic Hot mm / in | T&P mm / in  |
|--------|----------------|------------------|--------------------------------|--------------------------------|--------------------------------|-------------------------------|--------------|
| TT-065 | 1550 / 61.02   | 550 / 21.65      | 250/9.84 Top                   | 465 / 18.31                    | 565 / 22.24                    | 1340/52.75 Top                | 1340 / 52.76 |



- Dimensions in these FIGs are in mm
- All ports have female thread

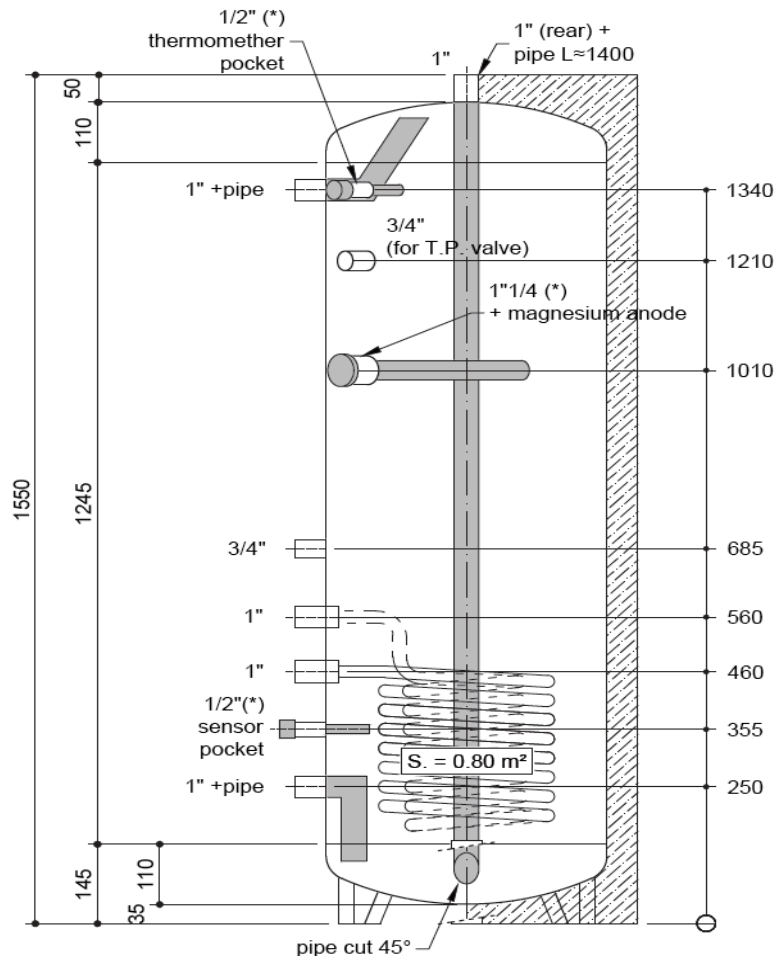


FIG. TT-079:

**TIGER TANK 300L INDIRECT FIRED SS COIL**



**Product Features:**

- » Tank is constructed out of Type 316L stainless steel
- » Coil is constructed out of Type 316L stainless steel
- » Fittings are constructed out of Type 316L stainless steel
- » 1" Domestic water ports on Top and Side
- » 1" boiler loop ports
- » 3/4" recirculation port
- » Uniform port height between models for Domestic Cold Water and Boiler Loop
- » Insulated with CFC free expanded 2" rigid Polyurethane
- » Lead free construction
- » Magnesium anode for cathodic & galvonic protection
- » Outer jacket is replaceable soft Vinyl (PVC) with zipper, available in several colors
- » Thermometer, analog sensor and T&P valve included
- » Tank ships with 2 SS 316L plugs

| Tiger Tank Platinum |                                    |
|---------------------|------------------------------------|
| Tank Material       | 316L Stainless Steel               |
| Coil Material       | 316L Stainless Steel               |
| Jacket Material     | Soft Vinyl w/Zipper                |
| Insulation          | 2" Rigid Polyurethane              |
| Protection          | Magnesium Anode                    |
| Application         | Residential / Commercial           |
| Warranty            | See back page for warranty details |

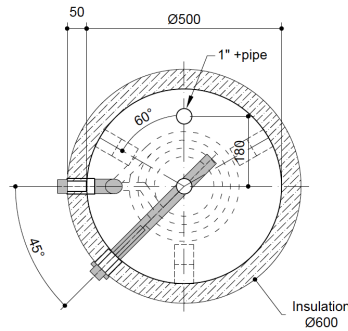
| Model  | Tank Capacity (Gallons) | Max Working Pressure (PSI) | Domestic Water Inlet/Outlet | Boiler In/Out | Approx. Shipping Weight (Lbs) |
|--------|-------------------------|----------------------------|-----------------------------|---------------|-------------------------------|
| TT-079 | 79                      | 150                        | 1"                          | 1"            | 132                           |

**Performance:** Hour 1 Recovery based on 50°F inlet water temperature and 176°F boiler water outlet temperature

| Model  | Outlet Temp 140°F      |                          | Outlet Temp 115°F      |                          | Boiler BTU/Hr Output | Heat Exchanger Flow Rate (GPM) | Coil Surface (sqm) |
|--------|------------------------|--------------------------|------------------------|--------------------------|----------------------|--------------------------------|--------------------|
|        | 1st Hr Rating (Gal/Hr) | Continuous Draw (Gal/Hr) | 1st Hr Rating (Gal/Hr) | Continuous Draw (Gal/Hr) |                      |                                |                    |
| TT-079 | 288                    | 209                      | 458                    | 347                      | 156414               | 12                             | 1.2                |

**Dimensions:**

| Model  | Height mm / in | Diameter mm / in | Floor to Domestic Cold mm / in | Floor to Boiler Return mm / in | Floor to Boiler Supply mm / in | Floor to Domestic Hot mm / in | T&P mm / in  |
|--------|----------------|------------------|--------------------------------|--------------------------------|--------------------------------|-------------------------------|--------------|
| TT-079 | 1580 / 62.20   | 600 / 23.62      | 250/9.84 Top                   | 550 / 21.65                    | 650 / 25.59                    | 1355/53.35 Top                | 1355 / 53.35 |



- Dimensions in these FIGs are in mm
- All ports have female thread

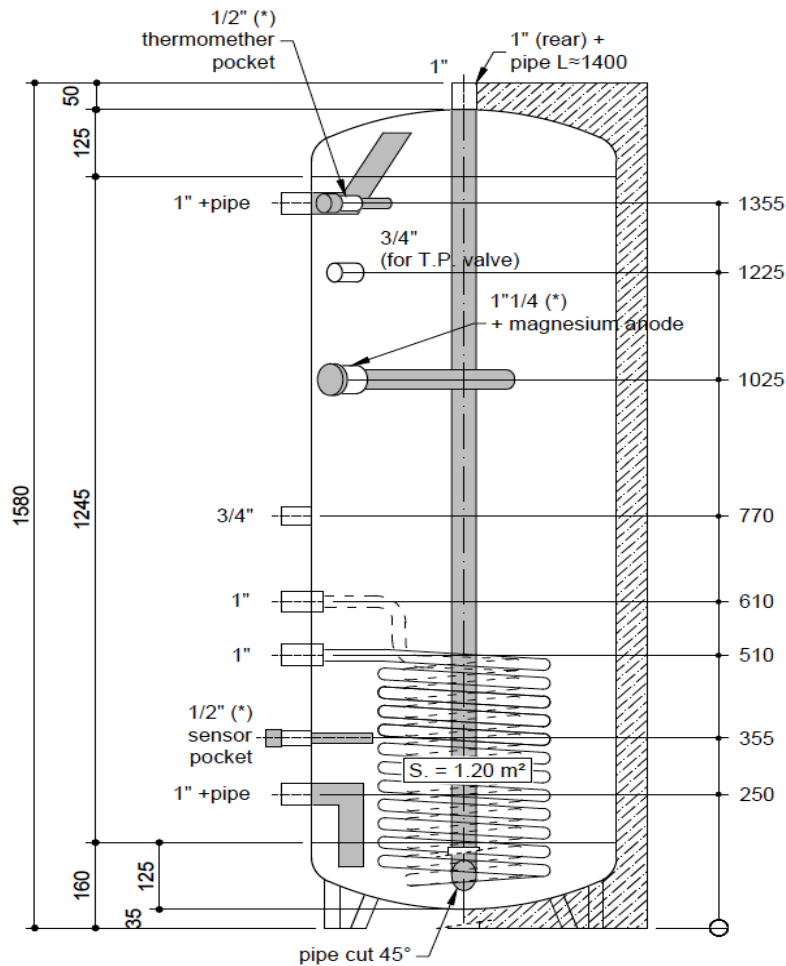


FIG. TT-119:

**TIGER TANK 450L INDIRECT FIRED SS COIL**



**Product Features:**

- » Tank is constructed out of Type 316L stainless steel
- » Coil is constructed out of Type 316L stainless steel
- » Fittings are constructed out of Type 316L stainless steel
- » 1" Domestic water ports on Top and Side
- » 1" boiler loop ports
- » 3/4" recirculation port
- » Uniform port height between models for Domestic Cold Water and Boiler Loop
- » Insulated with CFC free expanded 2" rigid Polyurethane
- » Lead free construction
- » Magnesium anode for cathodic & galvanic protection
- » Outer jacket is replaceable soft Vinyl (PVC) with zipper, available in several colors
- » Thermometer, analog sensor and T&P valve included
- » Tank ships with 2 SS 316L plugs

| Tiger Tank Platinum |                                    |
|---------------------|------------------------------------|
| Tank Material       | 316L Stainless Steel               |
| Coil Material       | 316L Stainless Steel               |
| Jacket Material     | Soft Vinyl w/Zipper                |
| Insulation          | 2" Rigid Polyurethane              |
| Protection          | Magnesium Anode                    |
| Application         | Residential / Commercial           |
| Warranty            | See back page for warranty details |

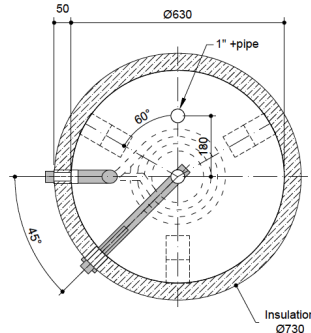
| Model  | Tank Capacity (Gallons) | Max Working Pressure (PSI) | Domestic Water Inlet/Outlet | Boiler In/Out | Approx. Shipping Weight (Lbs) |
|--------|-------------------------|----------------------------|-----------------------------|---------------|-------------------------------|
| TT-119 | 119                     | 150                        | 1"                          | 1"            | 172                           |

**Performance:** Hour 1 Recovery based on 50°F inlet water temperature and 176°F boiler water outlet temperature

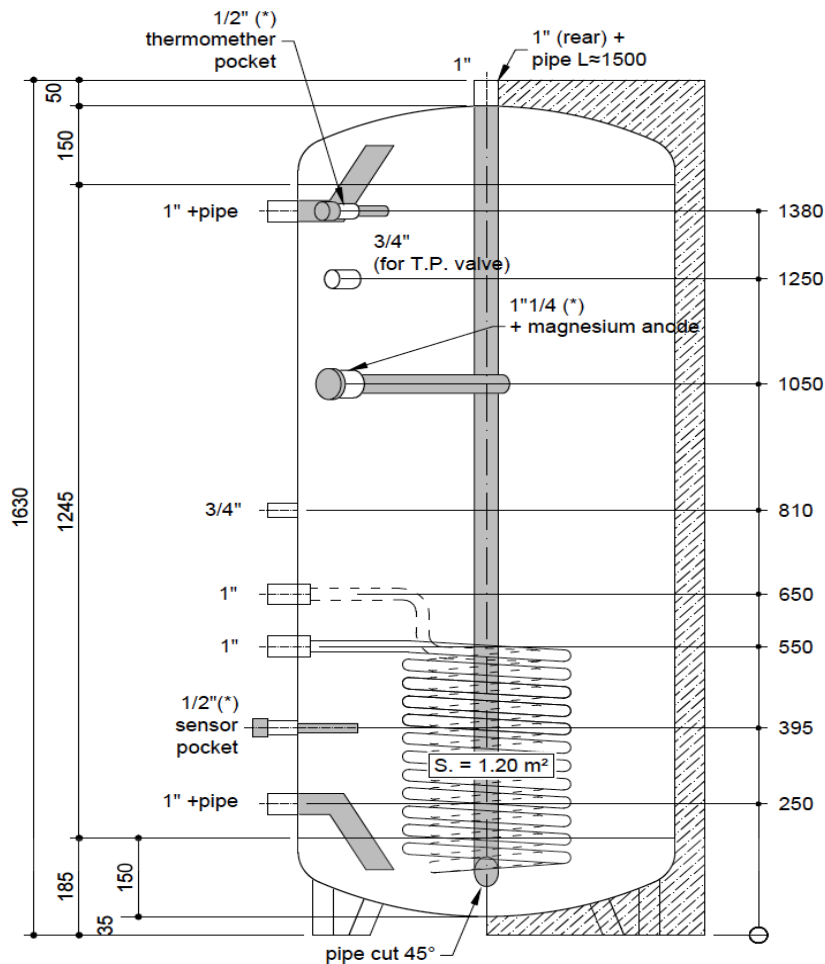
| Model  | Outlet Temp 140°F      |                          | Outlet Temp 115°F      |                          | Boiler BTU/Hr Output | Heat Exchanger Flow Rate (GPM) | Coil Surface (sqm) |
|--------|------------------------|--------------------------|------------------------|--------------------------|----------------------|--------------------------------|--------------------|
|        | 1st Hr Rating (Gal/Hr) | Continuous Draw (Gal/Hr) | 1st Hr Rating (Gal/Hr) | Continuous Draw (Gal/Hr) |                      |                                |                    |
| TT-119 | 406                    | 284                      | 641                    | 472                      | 213736               | 12                             | 1.7                |

**Dimensions:**

| Model  | Height mm / in | Diameter mm / in | Floor to Domestic Cold mm / in | Floor to Boiler Return mm / in | Floor to Boiler Supply mm / in | Floor to Domestic Hot mm / in | T&P mm / in  |
|--------|----------------|------------------|--------------------------------|--------------------------------|--------------------------------|-------------------------------|--------------|
| TT-119 | 1630 / 64.17   | 730 / 28.74      | 250/9.84<br>Top                | 550 / 21.65                    | 650 / 25.59                    | 1380/54.33<br>Top             | 1380 / 54.33 |



- Dimensions in these FIGs are in mm
- All ports have female thread



## Tiger Tank Platinum Indirect Fired Water Heater Limited Warranty

KVC Industries warrants that any parts or components of each new Tiger Tank Platinum indirect fired water heater will be supplied free of defects in material or workmanship. This warranty is valid for units manufactured after March 1, 2020 and replaces any other warranty implied or expressed. All the durations, terms and conditions mentioned hereafter are for manufacturer defects due to material or workmanship only, and do not include misuse or normal wear of the equipment. UNLESS OTHERWISE NOTED THESE WARRANTIES COMMENCE ON THE DATE OF INSTALLATION. **Warranty only valid to the original owner and location and is not transferrable.**

| Standard Residential Warranty<br>(Seven Years Tank, One Year Parts)  | Extended Residential Warranty<br>(Limited Lifetime Tank, One Year Parts)  | Commercial Use Warranty<br>(Seven Years Tank, One Year Parts)   |
|--|---|---|
| Standard Residential Use shall mean that the water heater is used in a single family dwelling, or used in a multiple family dwelling, provided that the water heater services only one (1) dwelling in which the original consumer purchaser resides on a permanent basis and the operating temperatures do not exceed 140 deg F, and the water heater is not registered online with KVC Industries within 90 days of installation date. | Extended Residential Use coverage shall apply to residential use water heaters registered online with KVC Industries within 90 days of the installation date. This Extended Residential Use Warranty is available at no additional charge. This coverage extends to residential applications only, for the original owner and location. | Standard Commercial Use shall mean any usage not falling within the definition of a "standard residential use" setting. |

### COVERAGE

1. During the first year after the original date of installation in the dwelling, KVC warrants that it will repair or replace, at its option, any defective or malfunctioning component of the water heater. Replacement parts will be warranted for ninety (90) days.
2. Should a defect or malfunction result in a leakage of water within the above-stated warranty periods due to defective material or workmanship, malfunction, or failure to comply with the above warranty, with such defect or malfunction having been verified by an authorized KVC representative, KVC will replace the defective or malfunctioning water heater with a replacement water heater of the nearest compatible model available at the time of replacement. The replacement water heater will be warranted for the unexpired portion of the applicable warranty period of the original water heater.
3. In the event of a leakage of water of a replacement water heater due to defective material or workmanship, malfunction, or failure to comply with the above warranty, KVC reserves the right to refund to the original purchaser the published wholesale price available at the date of manufacture of the original water heater.
4. If government regulations, industry certification, or similar standards require the replacement water heater or part(s) to have features not found in the defective water heater or part(s), the owner will be charged the difference in price represented by those required features. If the owner pays the price difference for those required features and/or to upgrade the size and/or other features available on a new replacement water heater or part(s), the owner will also receive a complete new limited warranty for that replacement water heater or part(s).
5. If at the time of a request for service the original consumer purchaser cannot provide a copy of the original sales receipt or the warranty card registration, the warranty period for the water heater shall then be deemed to have commenced ninety (90) days from the date of manufacture of the water heater and NOT the date of installation of the water heater.
6. This warranty extends only to water heaters utilized in heating applications that have been properly installed by qualified professionals based upon manufacturer's installation instructions.
7. Equipment returned for warranty consideration, will be evaluated upon the condition of the part when examined by KVC Industries Corp. or an authorized service representative. Improper handling and/or installation practices may VOID the warranty. See the identification label on unit exterior for model number and serial number information.
8. It is expressly agreed between KVC and the original consumer purchaser that repair, replacement, or refund are the exclusive remedies of the original consumer purchaser.

### EXTENDED RESIDENTIAL WARRANTY

To register for the Extended Residential Use Limited Warranty, complete the form located on the KVC website at [kvcindustries.com/warranty](http://kvcindustries.com/warranty) within 90 days of installation. The form must be completed in full with registered owners name, email address, and phone number, the address where the unit is installed, installation date, installation contractor, and unit model and serial numbers. Proof of purchase in the form of an invoice for the product, or a bill from an installing contractor that clearly documents the installation of the unit is required. To be valid, proof of purchase must also include the unit model number and serial number. Submit the proof of purchase to KVC Industries via the directions provided on the website. Owner must retain the proof of Extended Residential Use Limited Warranty. Proof of Extended Residential Use Limited Warranty must be presented when making a warranty claim in order for Extended Residential Use Limited Warranty to be valid.

\* For complete warranty details and exclusions, please visit [www.kvcindustries.com/warranty](http://www.kvcindustries.com/warranty).



Unit 105, 2455 - 192<sup>nd</sup> St, Surrey, BC, V3Z 3X1  
 Tel: (604) 531-6527 Fax: (604) 531-6572  
 Email: [inquiries@kvcindustries.com](mailto:inquiries@kvcindustries.com)